

SPARE PARTS LIST

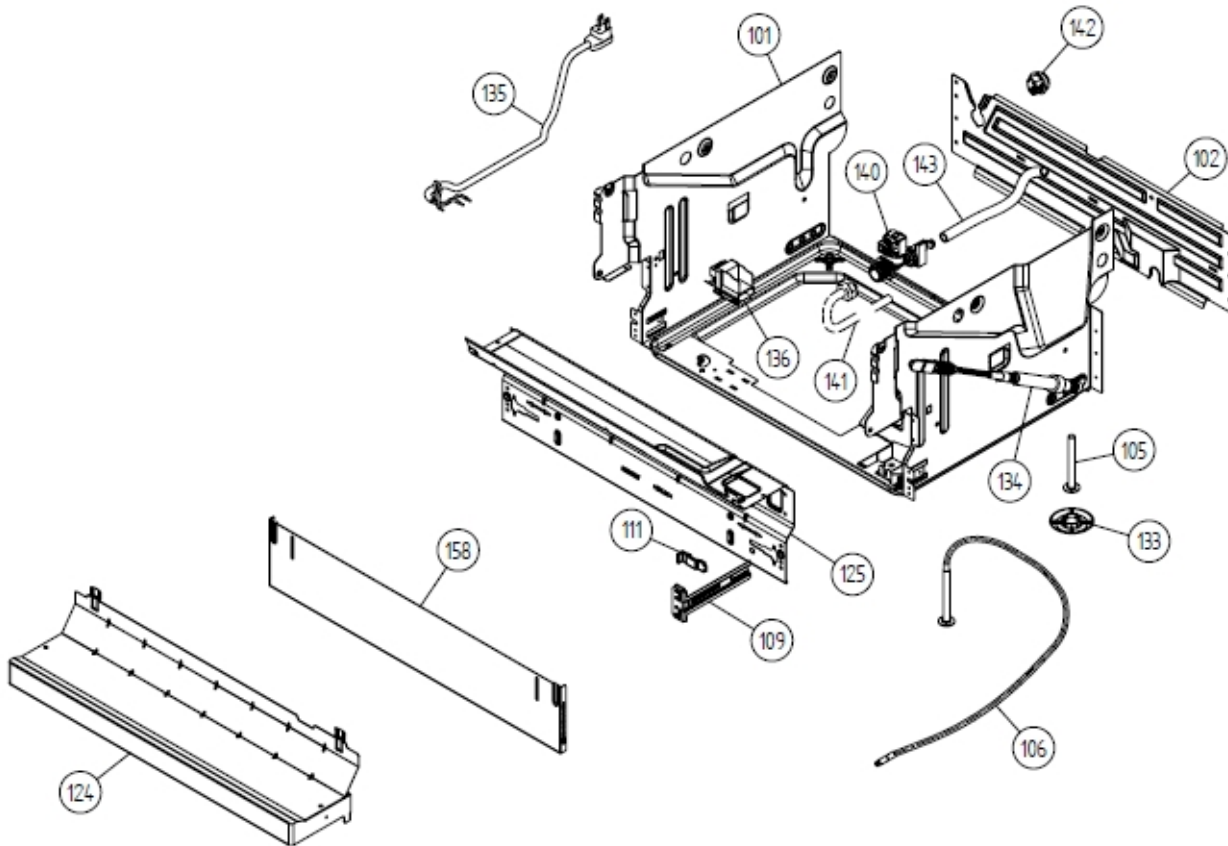
Hisense EUROPE

Date 13.04.2023
Time 16:40:54

Type DW20.1
Model D3112 US -SS
Art. No. 900001088

Brand name
Version 14.06.2013
Service index 01

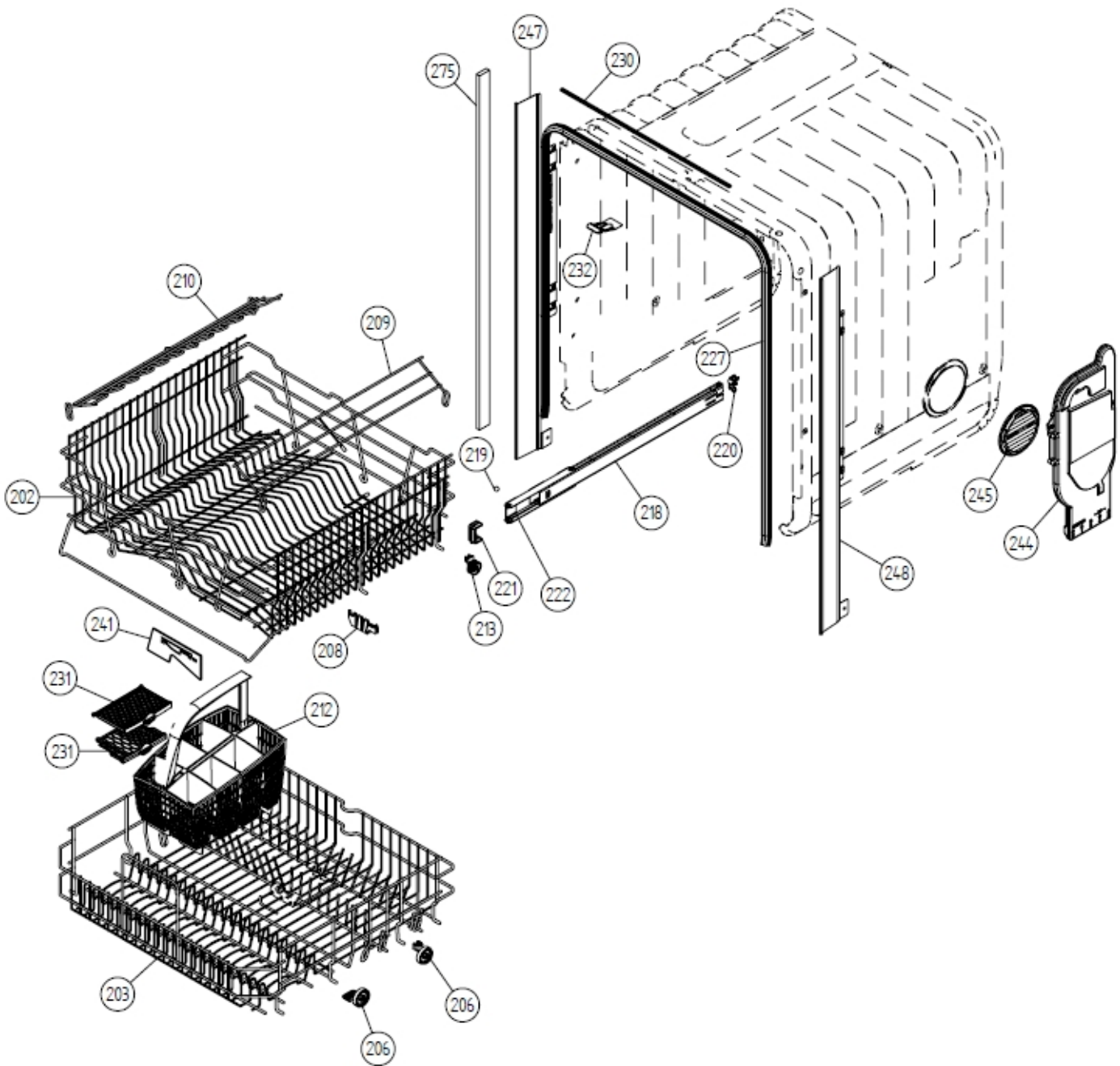
740025



Position	Ident	Spare part description	Quantity	Validity	Extra ID
101	269560	BOTTOM OUTER DW20 ASSY	1		8083965
101-a	700436	SCREW A4 MRT M4X8 VAXED TORX20 BUFAB	2		
101-b	700474	SCREW	4		8901110
102	233553	REAR PANEL	1		8073880
102-a	700451	SCREW RTS ST4,2X13 FZB TORX20	5		8902357
105	229842	FOOT M10X95 T30 8,8 FZB	2		8074877
106	229633	FOOT ADJUSTABLE FROM FRONT CPL	1		8073647
109	248849	BRACKET KICKING PLATE DW95	2		8057549
111	700332	SPRING	2		8073481-49
116	252205	SOUND ABSORBENT GUARD PLATE	1		8058353

Position	Ident	Spare part description	Quantity	Validity	Extra ID
119	233567	SOUND ABSORBTION PROFILE	1		8074260
124	199179	LOWER COVER LOW STAINLESS	1		8074293-95
125	259804	GUARD PLATE	1	Before 03.2004	8073707
125	452652	BASE COVER FRONT DW20 BLANK	1	After 03.2004	
125-a	700451	SCREW RTS ST4,2X13 FZB TORX20	4		8902357
133	704552	SLIDER	3		8051957
134	248844	DOORSRING COMPL. GREY	2		8058491-77
135	700557	CABLE SUPPLY	1	After 01.2006	8083262
135	344767	CONNECTING CABLE AMERICA	1	Before 01.2006	8073774
136	700514	FILTER NOISE	1		8083041
136-a	248177	SCREW MRT-TT 4X6 FZB T20	1		8902131
140	344039	INLET VALVE 120V SENS UL4	1		8073825
140-a	252010	BELT CLAMP D17,0	1		8052189
141	195412	CONNECTIONS PIPE 3/8-3/4	1		8073879
142	200283	SLEEVING	1		8006948
143	452636	RUBBER HOSE 10X15X225	1		
143-a	252010	BELT CLAMP D17,0	2		8052189
158	452609	KICK-PLATE USA DW LA006A	1		
162	700411	SUPPORT	1	After 02.2006	8079832

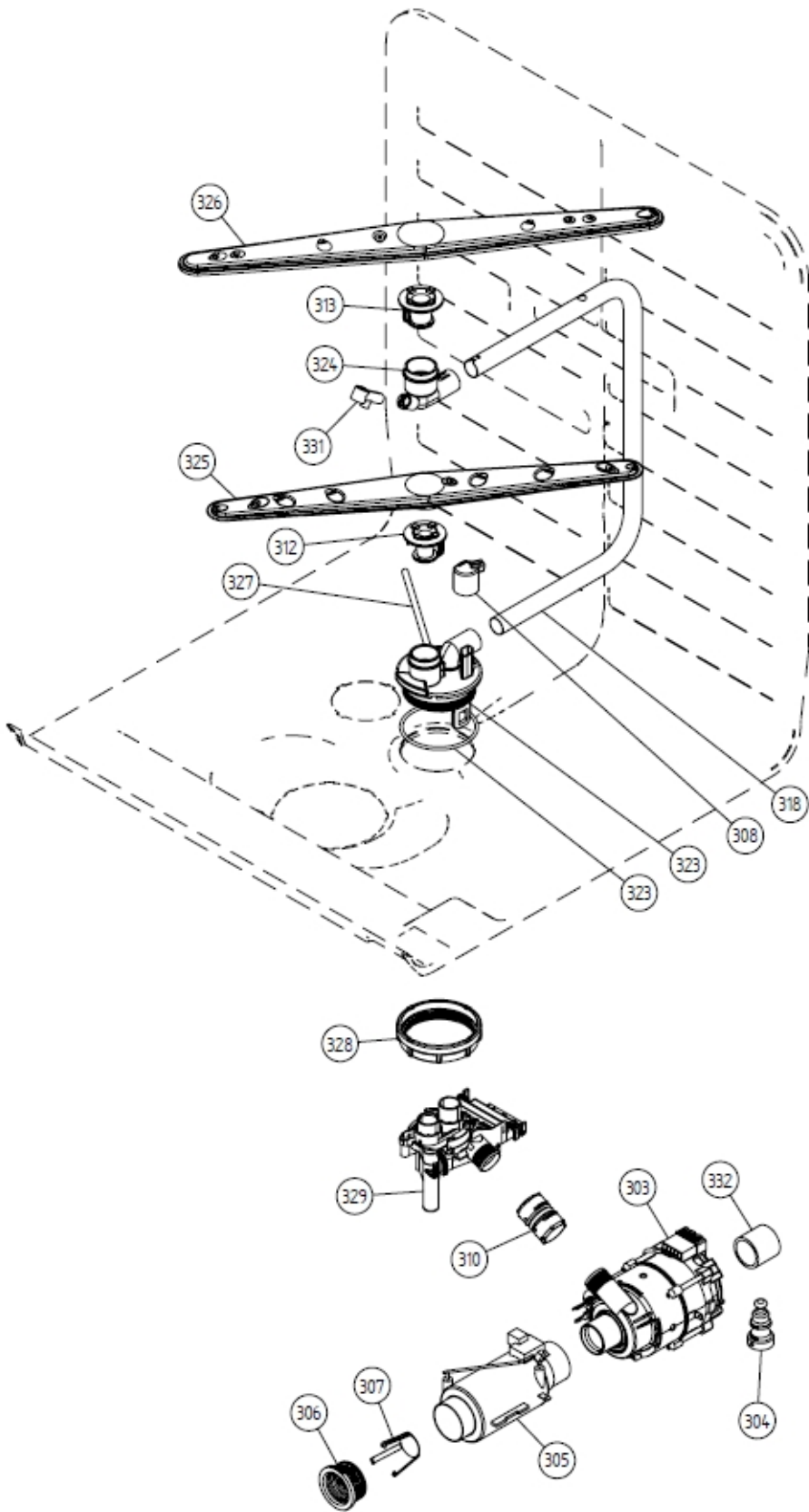
741025



Position	Ident	Spare part description	Quantity	Validity	Extra ID
201	000000		1		8057056
202	490026	UPP.BASKET PREMIUM 7502-B ASSY	1		8801236-36
203	489454	LOWER BASKET EXCLUSIVE 7502-B ASSY	1	Before 02.2007	8801316-36
203	489454	LOWER BASKET EXCLUSIVE 7502-B ASSY	1	After 02.2007	8801316-36
206	700391	LOWER BASKET WHEEL	8	After 02.2007	
206	235122	WHEEL FOR LOW DISHW BASKET CP	8	Before 02.2007	8078641-77
208	700321	KNIFE RACK	2		8071214-77
209	247841	CUPSHELF ADJUSTABLE D.GREY	1		8071336-36
210	700467	GLASS HOLDER	1		8071337-36
212	428811	CUTLERY BASKET	1	After 02.2007	8801396-77

Position	Ident	Spare part description	Quantity	Validity	Extra ID
212	441338	CUTLERY BASKET INCL. DOOR	1	Before 02.2007	8801239-77
213	655318	BASKET WHEEL TEFLON 5502-B	4		8058498-77
218	700308	GUIDE	2		8057052
219	457826	BEARING BALL ASSY	8		
220	700313	GUIDE SHOCK ABSORBER	2		8057978-77
221	700430	RAIL BLOCK	2		8088703-77
222	700458	GUIDE SPACER 5502-B	2		8058638-77
222	428814	SPACER	1		8801349-77
225	700313	GUIDE SHOCK ABSORBER	2		8057978-77
227	704575	TUB GASKET DW 1701 UL4	1		8057489
230	233607	EDGE GUARD L=420 MM	1	Before 09.2003	8071257
231	700390	CUTLERY BASKET COVER	1	After 02.2007	8079251-77
231	462742	CUTLERY BASKET DOOR DW 5502-B UL4	1	Before 02.2007	8072986-77
232	428815	LATCH	1		
241	700311	KNIFE STOP PLATE	1		8057506-77
244	254419	AIRBREAK STD. WITH O-RING UL4	1		8057514
244-a	252010	BELT CLAMP D17,0	1		8052189
245	700379	AIR BREAK COVER	1		8078304-77
247	452610	TRIM STRIP L DW USA SS BLANK	1		
247-a	700470	SCREW ST4,2X13-A4 TORX20 RTS BUFAB	2		
248	452608	TRIM STRIP R DW USA SS BLANK	1		
248-a	700470	SCREW ST4,2X13-A4 TORX20 RTS BUFAB	2		
275	671331	SEALING TAPE 8X15X750	2		8070614

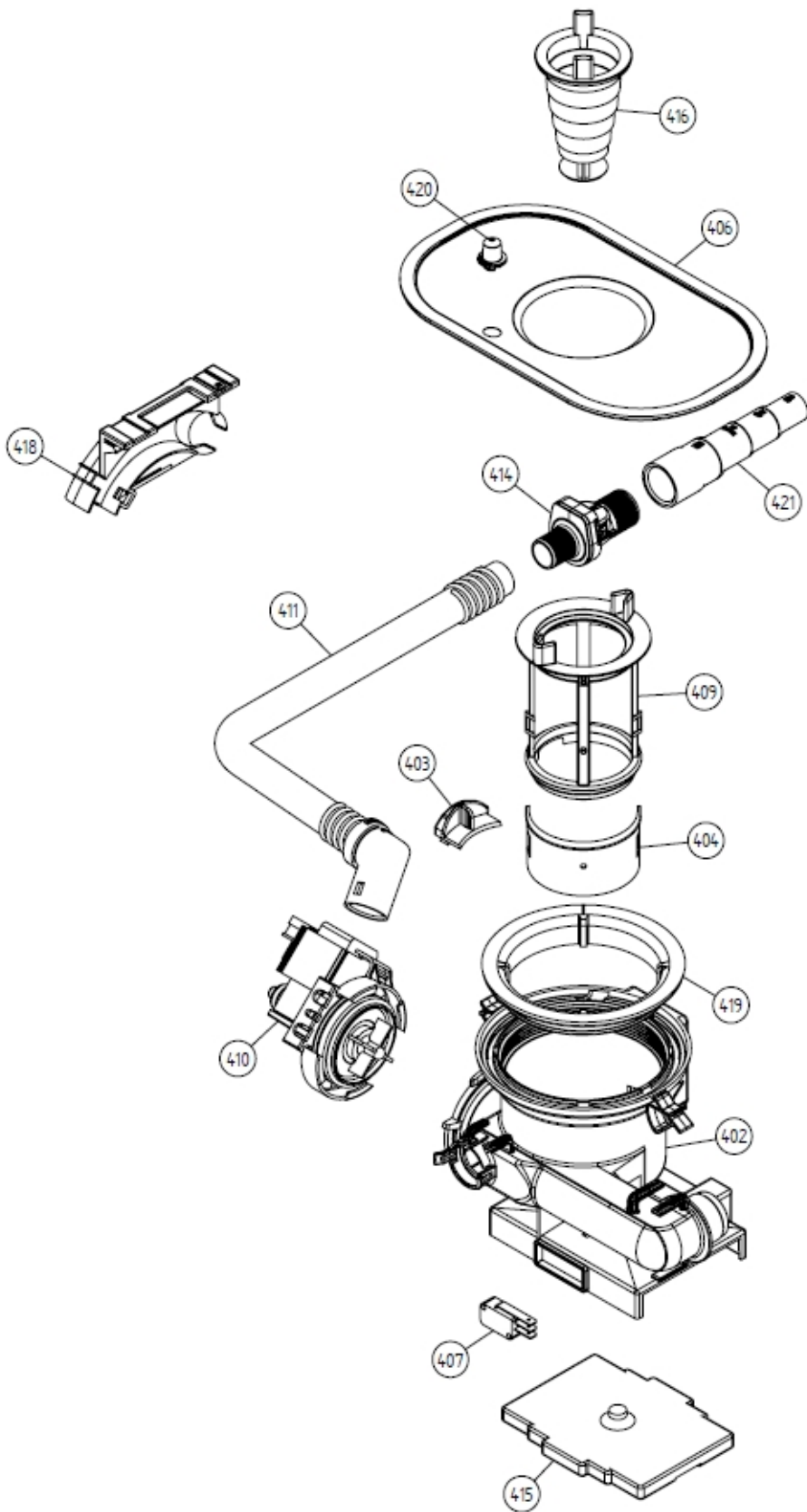
742025



Position	Ident	Spare part description	Quantity	Validity	Extra ID
301	165478	BOTTOM BACKSIDE DW20	1		8072108
303	193473	CIRC.PUMP ACC 120V 60HZ UL4	1		8078471
303-a	195512	CAPACITOR 16UF CIRC.PUMP DW20	1		8075380

Position	Ident	Spare part description	Quantity	Validity	Extra ID
303-a	441459	CONDENSER 7UF EM 60HZ	1		8083804
304	231890	RUBBER DAMPER CIRC.PUMP UL4	1		8075130
305	700556	HEATER 1200W 120V UL4	1		8073785
306	264752	SEALING HEATER	2		8077724
307	231909	INSERT FOR HEATER	1		8075070
308	700330	COVER	1		8073385-77
310	700442	PUMP'S HOSE	1		8072888
310-a	550741	BELT CLAMP D30,8	2		8056491
312	700347	SUPPORT	1	After 12.2004	8076901-77
312	228043	SPRAY ARM LOWER GREY	1	Before 11.2004	8072728-77
313	700348	SUPPORT	1		8076903-77
313	441303	KIT SPRAYARM BEAR. UPPER DW20	1		8801268
318	700455	SPRAYERS FEED HOSE	1		8073387
323	441323	SPRAYER ATTACHMENT	1		8801270
323-a	700437	GASKET	1		8901765
324	441303	KIT SPRAYARM BEAR. UPPER DW20	1		8801268
325	700326	SPRAY ARM LOW SUR.UL4	1		
326	700327	SPRAY ARM UPPER DW20 BLANK UL4	1		
327	700329	HOSE	1		
327-a	200617	SCREW PT KB40X10 WN1442 RFS	2		8902085
328	700323	RING	1		8071607
329	235626	INTERMEDIATE WELDED	1		8075936
329-a	700452	GASKET	2		8075071
331	700324	SPRAYING POUT	1		8072543-77
332	230873	SLANGE 26.8 X 32.8 X 29.5	1	Before 09.2003	8075420
332-a	252010	BELT CLAMP D17,0	2		8052189

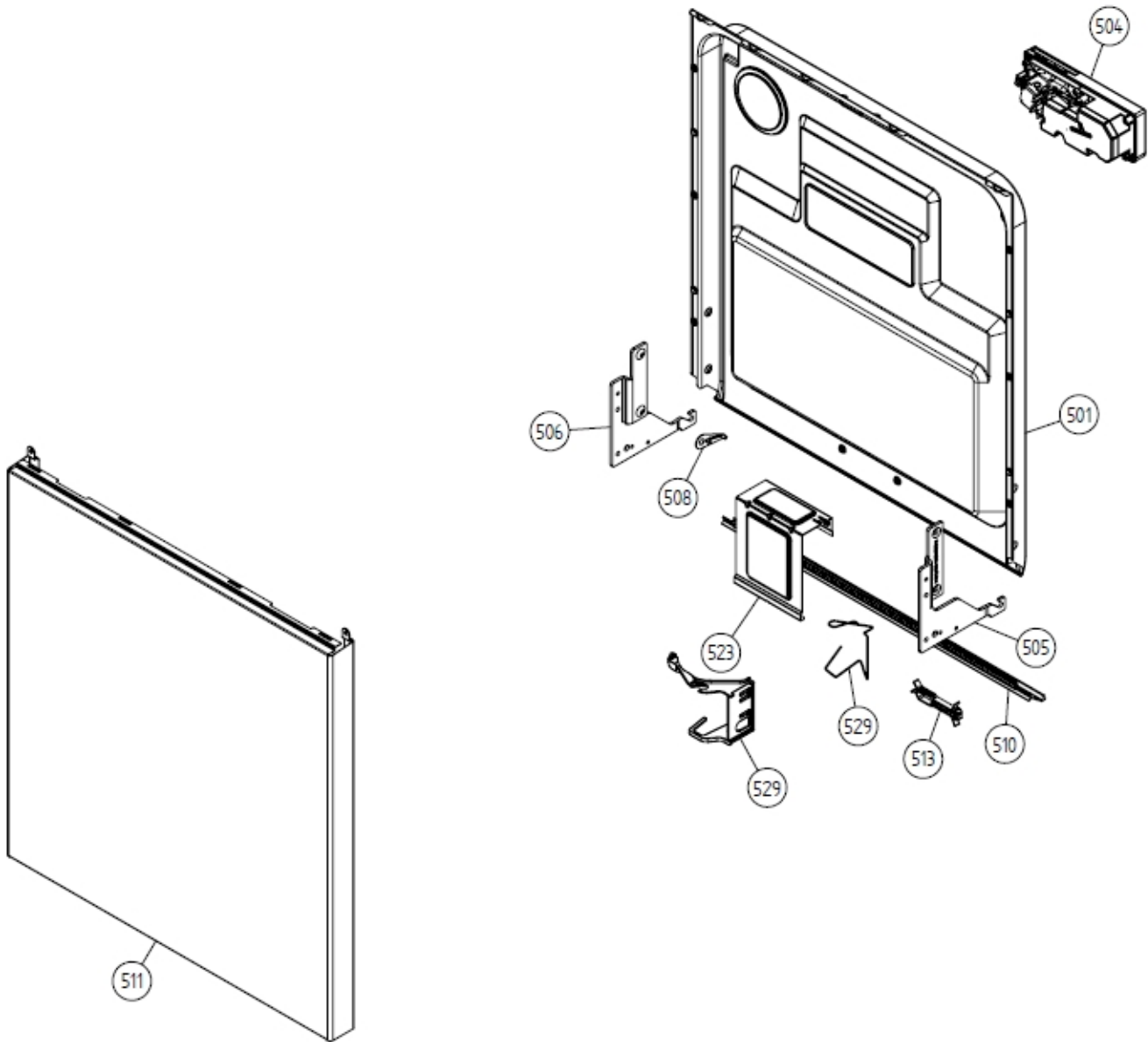
743025



Position	Ident	Spare part description	Quantity	Validity	Extra ID
402	229903	BOTTOM WELL WITHOUT SENSOR UL4	1		8073690-77
402-a	800466	O-RING	1		8081039

Position	Ident	Spare part description	Quantity	Validity	Extra ID
403	244689	COVER PLATE BOTTOM WELL	1		8057487-79
404	231945	COVER PLATE INLET DW95	1		8058454
406	700341	PLANE FILTER	1		8074364
407	700335	MICROSWITCH	1		8073835
409	231962	FILTER BASKET	1		8073396-77
410	700245	DRAIN PUMP	1	Before 09.2009	8078089
410	700245	DRAIN PUMP	1	After 09.2009	8078089
410-a	251041	O-RING 49,5X3,0 NBR70 UL1	1		8002584
411	859800	HOSE WITH CLAMP	1		8074030
411-a	700476	CLAMP	1		
411-b	252083	CABLE STRIP PLT3S-M (291X4.8)	1		8052430
414	441536	KIT CHECK VALVE	1		8801248
414-a	700476	CLAMP	1		
414-b	028734	HOSE CLAMP D20-40	1		8053642
415	232017	FLOAT	1		8075110
416	247822	STRAINER BASKET GREY	1		8057972-77
418	700304	HOSE BEND	1		
418-a	028734	HOSE CLAMP D20-40	1		8053642
418-b	700476	CLAMP	1		
418-c	252091	CABLE TIE 150X3,5	1		33700450
418-d	247990	SCREW PT KB40X10 WN1442 GALV	1		8902072
419	700325	RING	1		
420	700342	VENTILATING FAN	1		8074760-77
421	700484	END CUFF	1		8075321

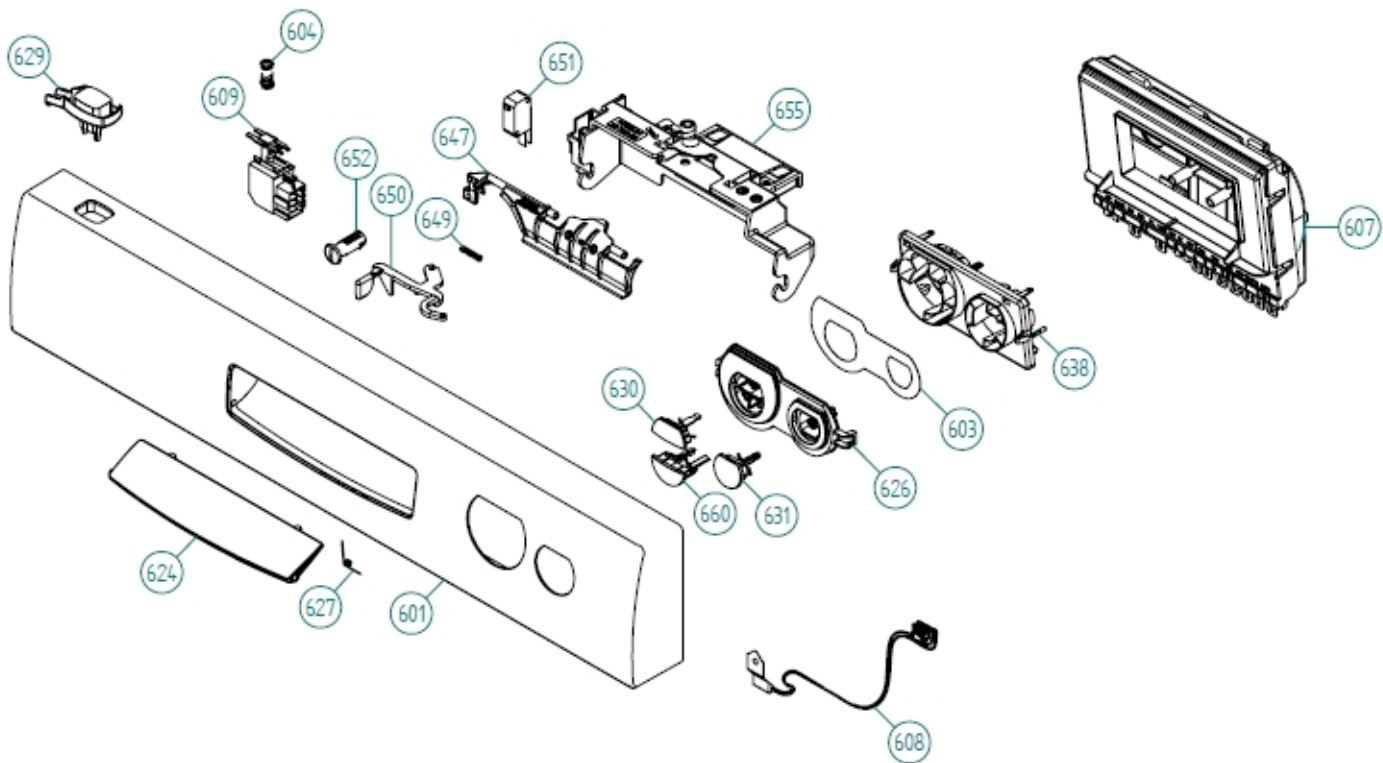
744025



Position	Ident	Spare part description	Quantity	Validity	Extra ID
501	229774	DOOR INNER WITH INSULATION	1		8801243
501-a	700470	SCREW ST4,2X13-A4 TORX20 RTS BUFAB	6		
501-b	273967	SCREW A2-MKFT 5X10	4		8902121
504	195398	COMBIDISP.OPTICAL 120V	1		8073804
504	351287	COMBIDISP.120V GREY	1		8070679-77
504-a	200307	GASKET	1		8071916
504-b	200308	COVER	1		8071917
504-c	200309	COVER	1		8071918

Position	Ident	Spare part description	Quantity	Validity	Extra ID
504-d	200310	GASKET	1		8072288
504-f	200621	SCREW PTK 40X14 WN1452 FZB T2	6		8902087
505	249573	HINGE RIGHT DW95	1		8057524
505-a	700312	HINGE SCREW	1		8057530
505-b	700472	NUT M4-SELF-LOCKING	1		33500262
506	249558	HINGE LEFT PAINTED DW95	1		8057525
506-a	700312	HINGE SCREW	1		8057530
506-b	700472	NUT M4-SELF-LOCKING	1		33500262
507	700312	HINGE SCREW	2		8057530
507-a	700472	NUT M4-SELF-LOCKING	2		33500262
508	247960	SLIDE WASHER HINGE BEARING	2		8057948
510	426743	DOOR GASKET	1		
511	452649	EXTERIOR DOOR DW L613 SS BLANK	1		
511-a	700470	SCREW ST4,2X13-A4 TORX20 RTS BUFAB	6		
513	232054	CABLE BRACKET DOOR	1		8074015
514	416082	ART.UNDERKORG M-GRÅ NIVÅ S USA	1		8075044
521	230579	SOUND ABSORBTION OUTERDOOR	1		8071240
523	700475	HOLDER	1		8057984
523-a	700470	SCREW ST4,2X13-A4 TORX20 RTS BUFAB	2		
523-b	700451	SCREW RTS ST4,2X13 FZB TORX20	2		8902357
524	262110	NOZZLE AIR DUCT	1		8076160-33
529	700340	SUPPORT	1		

745029



Position	Ident	Spare part description	Quantity	Validity	Extra ID
601	261304	FRONT PANEL ASKO 3112(321) GRAPH UL4	1		8077271-81-UL
602	195759	PROG.INFO.LABEL ASKO D321 ENG	1	Before 03.2005	8076965
602	195778	PROG.INFO.LABEL ASKO D321 FR	1	Before 03.2005	8077273
602	195946	PROG.INFO.LABEL ASKO 321 ENG	1	After 03.2005	8078190
602	196136	PROG.INFO.LABEL ASKO 321 ES	1	After 03.2005	8078312
602	195779	PROG.INFO.LABEL ASKO D321 ES	1	Before 03.2005	8077274
602	196131	PROG.INFO.LABEL ASKO 321 FR	1	After 03.2005	8078311
603	234601	DECOR PLATE ASKO 322 GRAPHIC	1		8074957
604	700339	SPRING	1		8074277
607	445822	CONTROL UNIT DW20.1 US F.DISH ASSY	1		
608	266844	THERMISOR	1		8073788
608-a	230653	SPACER THERMISTOR DW20	1		8076839
609	200349	POWER BUTTON	1		8073782
614	232425	CABLE SET CIRC.PUMP UL4	1		8075736
617	233621	CABLE SET FLOW SENSOR UL4	1		8075737
618	700362	WIRING HARNESS POWER SUPPLY	1		8078070
619	261328	CABLESET DOOR UL4	1		8075734
622	233685	CABLE SET DRAIN UL4	1		8075731

Position	Ident	Spare part description	Quantity	Validity	Extra ID
624	704563	HANDLE COVER	1		8073470-81
626	228070	LENS DW320 ASKO UL4	1		8074000
627	700482	SPRING	1		8074464
629	228050	PUSHBUTTON MAINSWITCH GRAPHIC	1		8075078-81
630	227967	PUSHBUTTON ASKO 320 PROG. UL4	1		8075082-81
631	227964	PUSHBU. START/ST. ASKO 320 UL4	1		8075081-81
638	228069	LIGHT GUIDE ASKO UL4	1		8074008
647	704586	HANDLE DOOR LOCK UL4	1		
649	700449	DOOR SPRING	1		8072908
649	704564	SPRING	1		8075790
650	229563	CONTROL ARM SAFETY CATCH UL4	1		8072907
651	200358	DOOR SWITCH	1		8073836
652	240783	ROTARY CATCH DW95	1		8057545
655	704550	DOOR LOCK DW70 USA UL4	1		8072905-UL
655-a	200617	SCREW PT KB40X10 WN1442 RFS	2		8902085
660	234602	PUSHBUTTON ASKO 321 OPT. UL4	1		8076964-81
690	000000		1	Before 03.2005	8077166
690	000000		1	After 03.2005 Before 04.2007	8077446
690	000000		1	After 03.2005 Before 04.2007	8077447
690	000000		1	After 04.2007	8080545
690	000000		1	After 03.2005 Before 04.2007	8077448
690	000000		1	After 04.2007	8080547
690	000000		1	Before 03.2005	8077167
690	000000		1	Before 03.2005	8077168
690	000000		1	After 04.2007	8080546