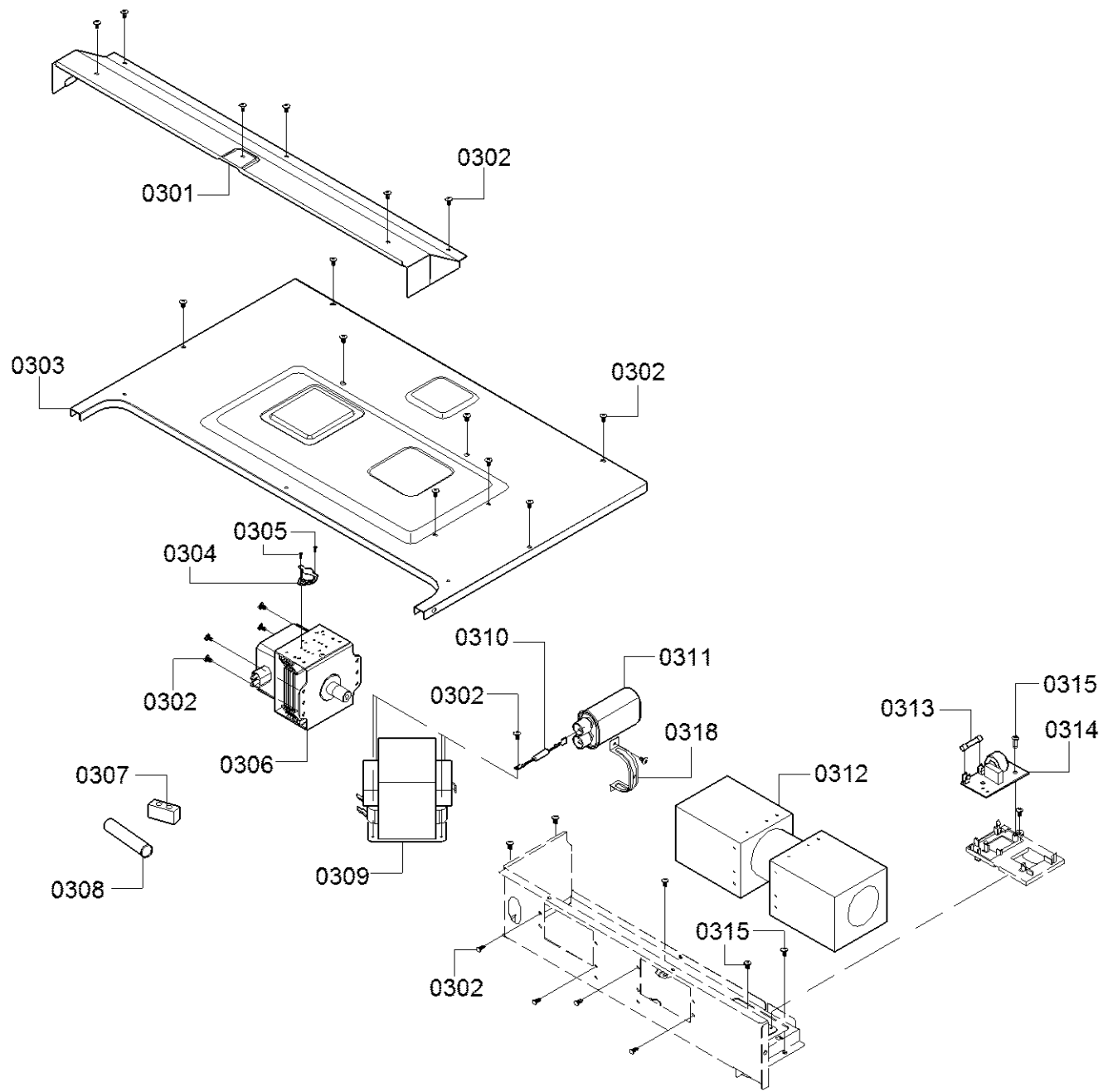


0199

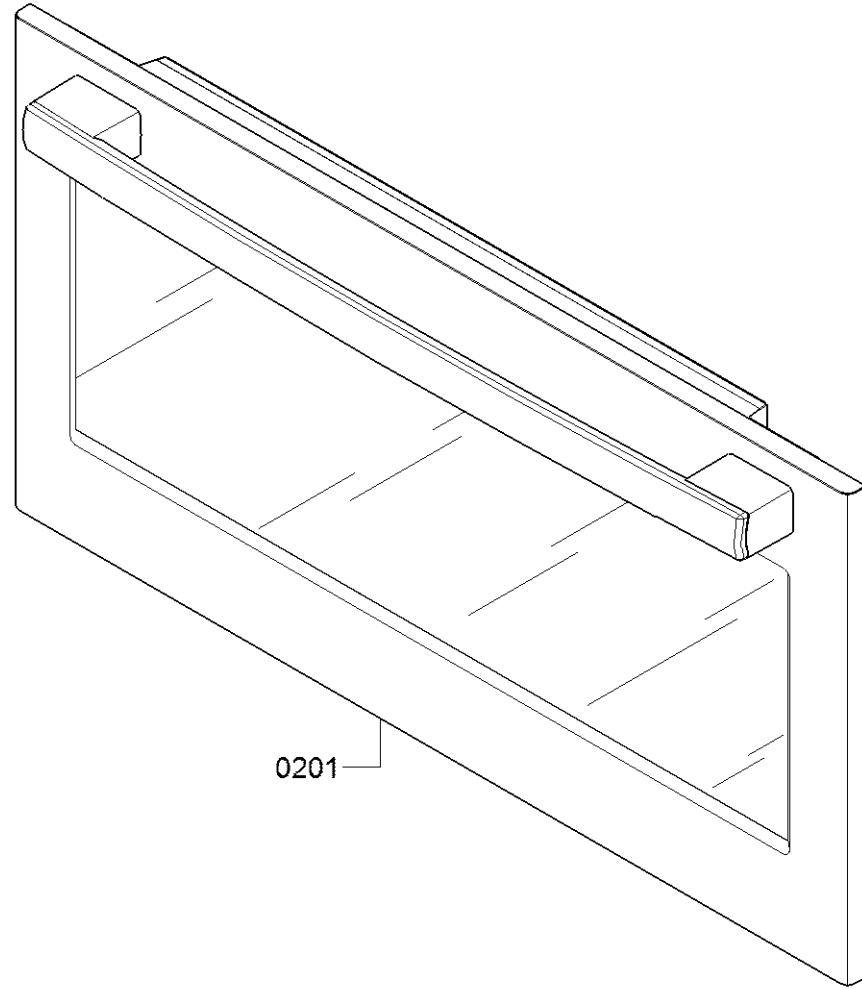


0197

Position ID	Part number.	Replaces:	Description
0101	00777208	20001401	Control unit
0102	00717515		Controller unit
0104	00631577		Screw
0103	12033156		Loudspeaker
0198	10016213		Screw-set

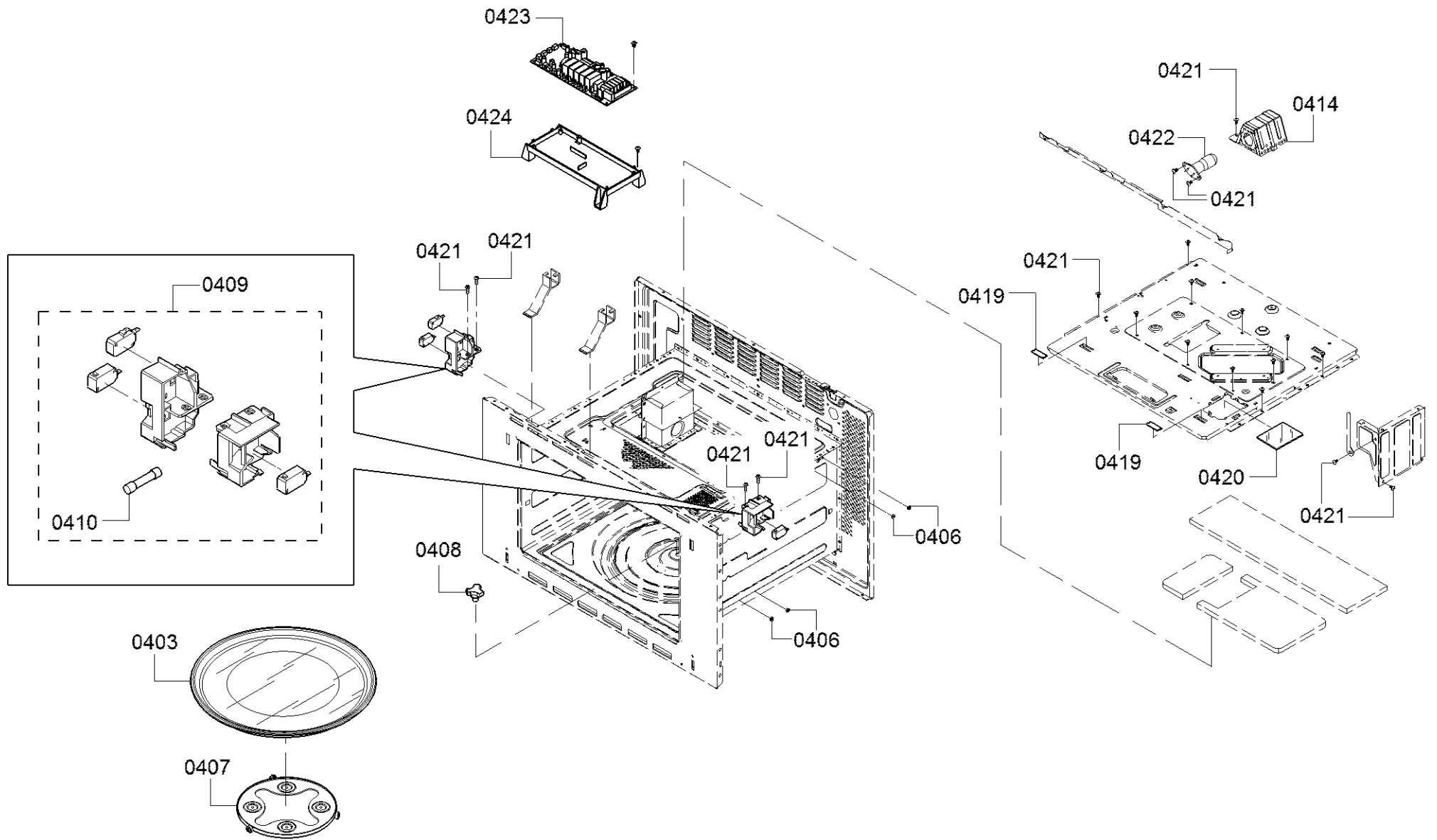


Position ID	Part number.	Replaces:	Description
0301	00715820		Cover
0302	00631577		Screw
0303	11016914		Cover
0304	00631508		Regulator-temperature
0305	00631575		Screw
0306	10001590		Magnetron
0307	10001591		Holder
0308	00631509		Fuse
0309	00145870		Transformer-high voltage
0310	10001605	00625682	Diode
0311	12014084		Capacitor-high voltage
0312	00795453		Blower motor
0313	00631510		Fuse
0314	11016939		Frequency filter
0315	00631576		Screw

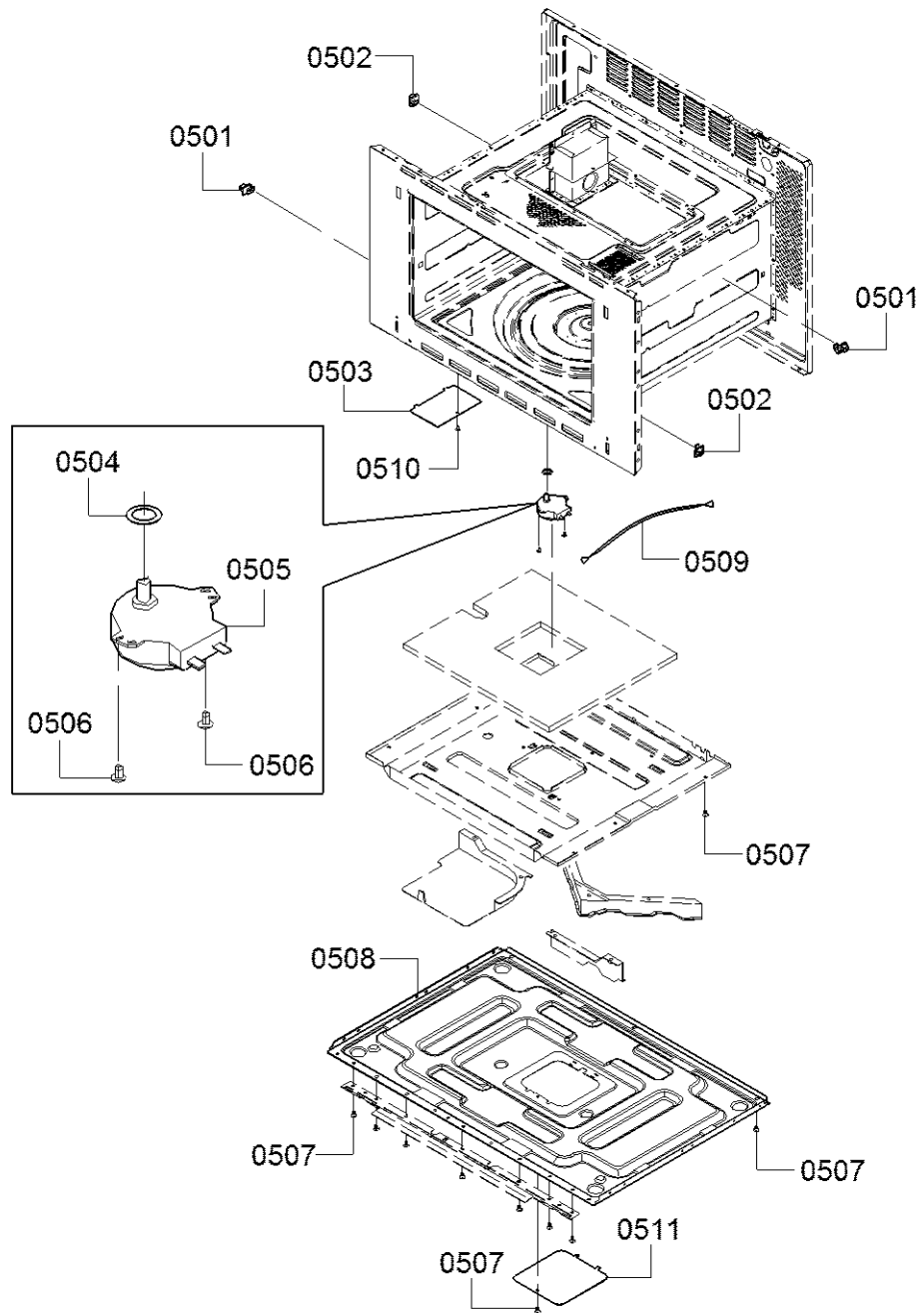


0201

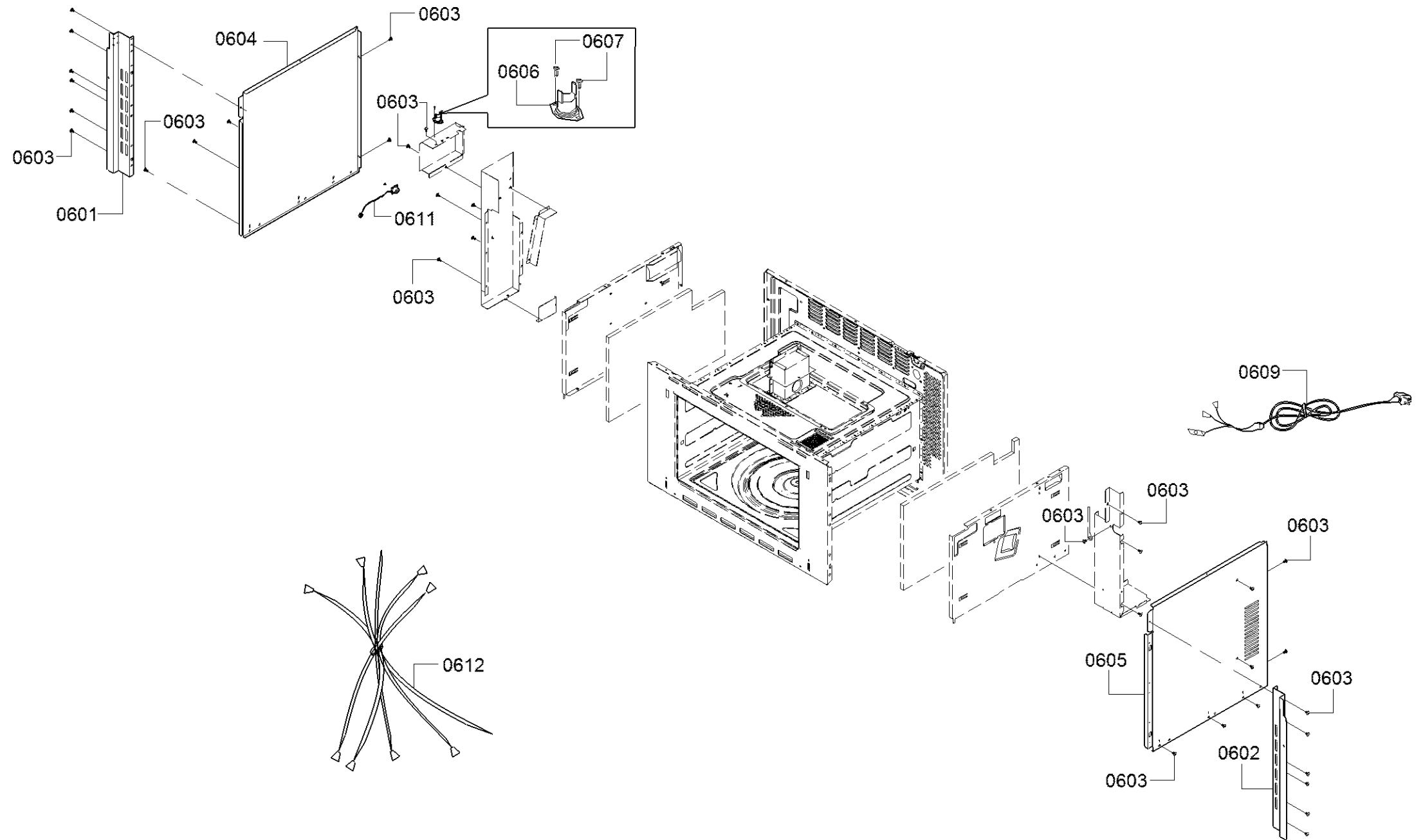
Position ID	Part number.	Replaces:	Description
0201	00717514		Door



Position ID	Part number.	Replaces:	Description
0403	00775125		Turntable
0407	00756420		Rotating Ring
0414	10001611		Cover
0419	00617098		Cover
0420	12014088	00617096	Glass cover
0421	00631576		Screw
0422	12013471		Lamp
0423	12022489		Power supply unit
0424	11025139		Mounting bracket
0408	10001607		Drive coupling
0409	12038730		Switches group
0410	00631510		Fuse



Position ID	Part number.	Replaces:	Description
0501	00631439		Support
0502	00631440		Support
0505	12014093		Turntable motor
0508	00795452		Panel
0509	00648816		Cable harness
0511	12022515		Cover
0503	12014089	00617090	Cover
0510	00631579		Screw



Position ID	Part number.	Replaces:	Description
0604	00775131		Panel side
0605	00775133		Panel side
0606	10001632		Limiter-temperature
0609	12014095		Power cord
0611	12014096		Sensor
0601	11035806		Trimplate
0602	11035807		Trimplate
0612	12035539		Cable harness