

0101

0102

0102

0110

0111

0103

0104

0104

0113

0115



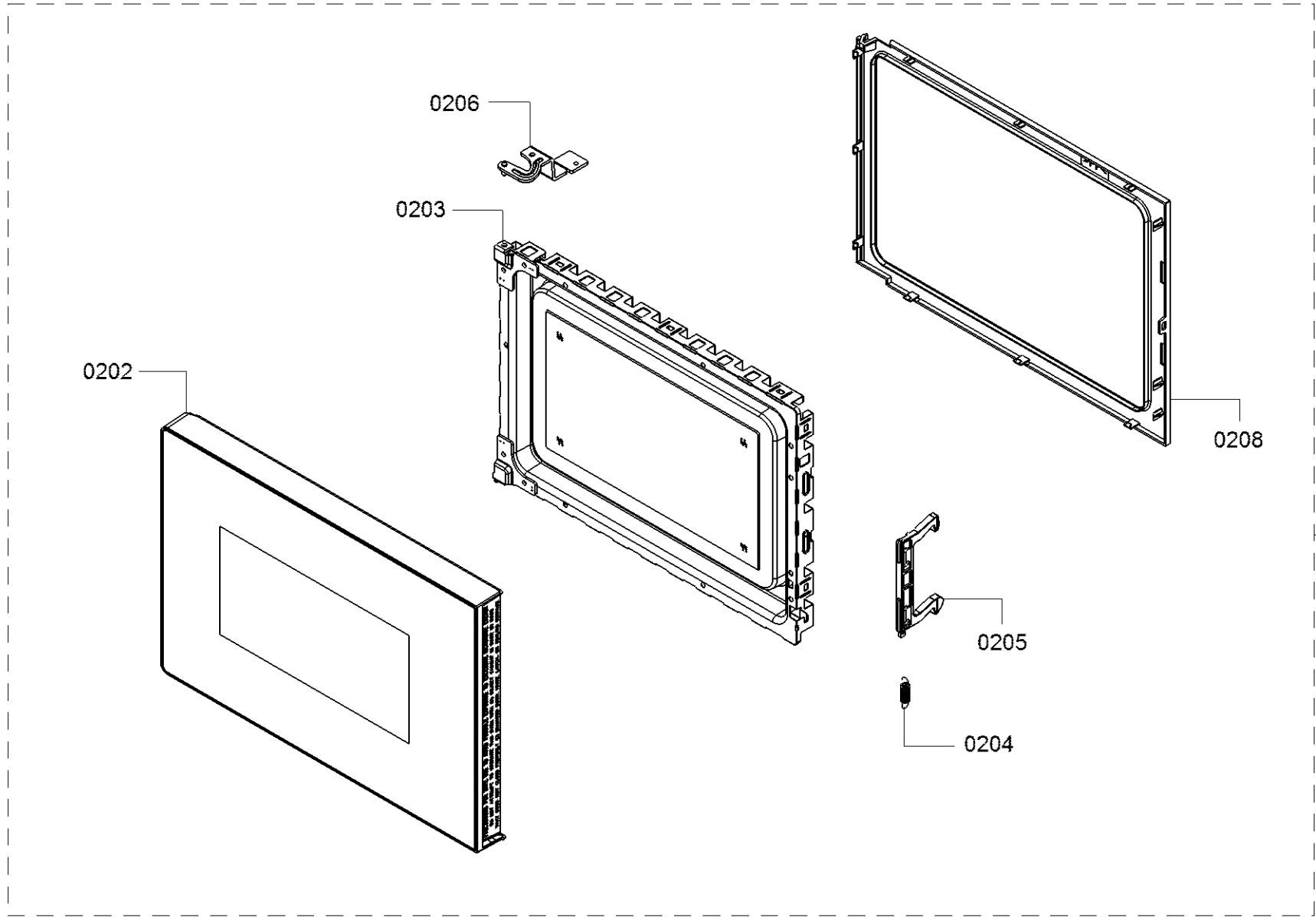
0199

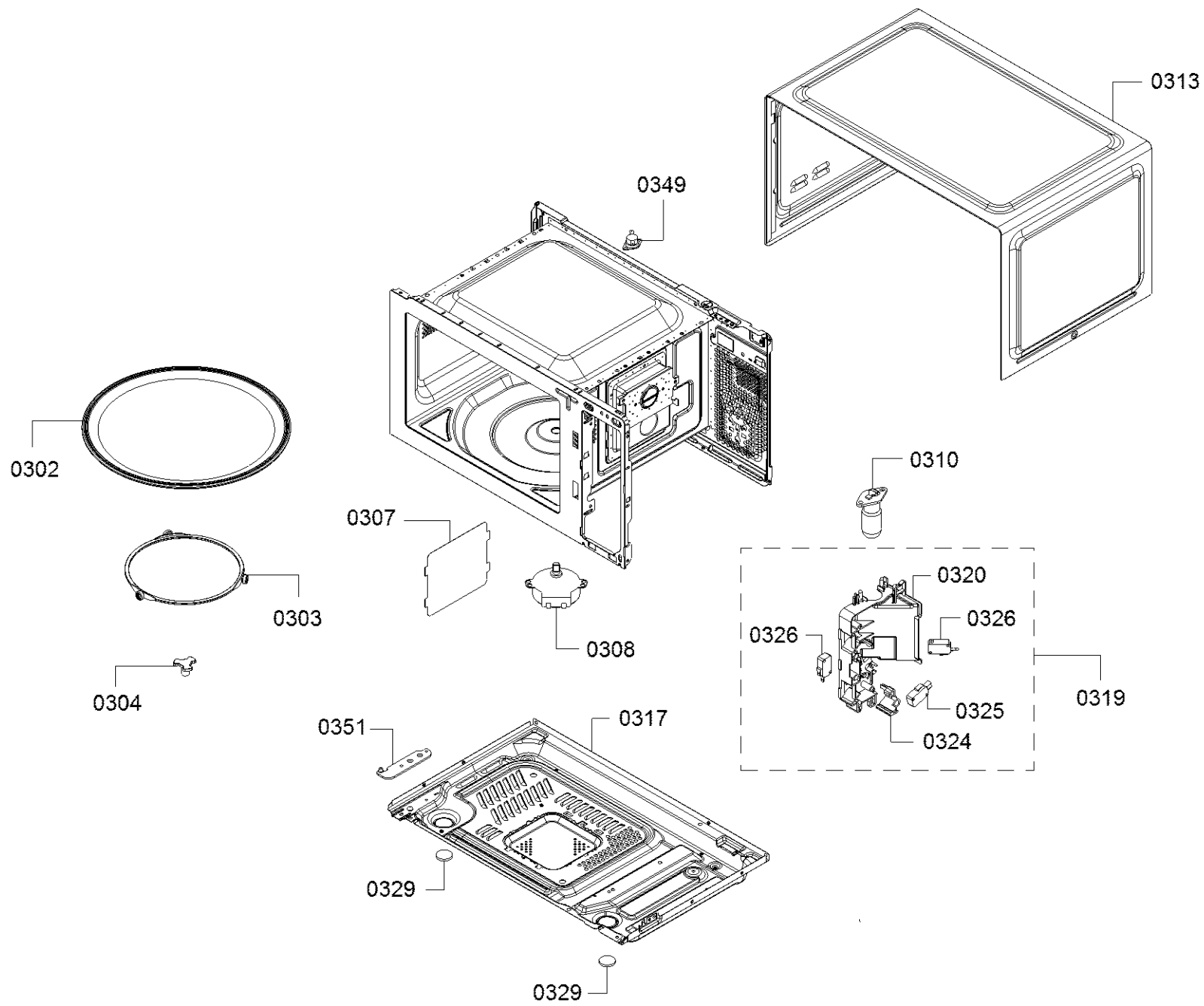


0198

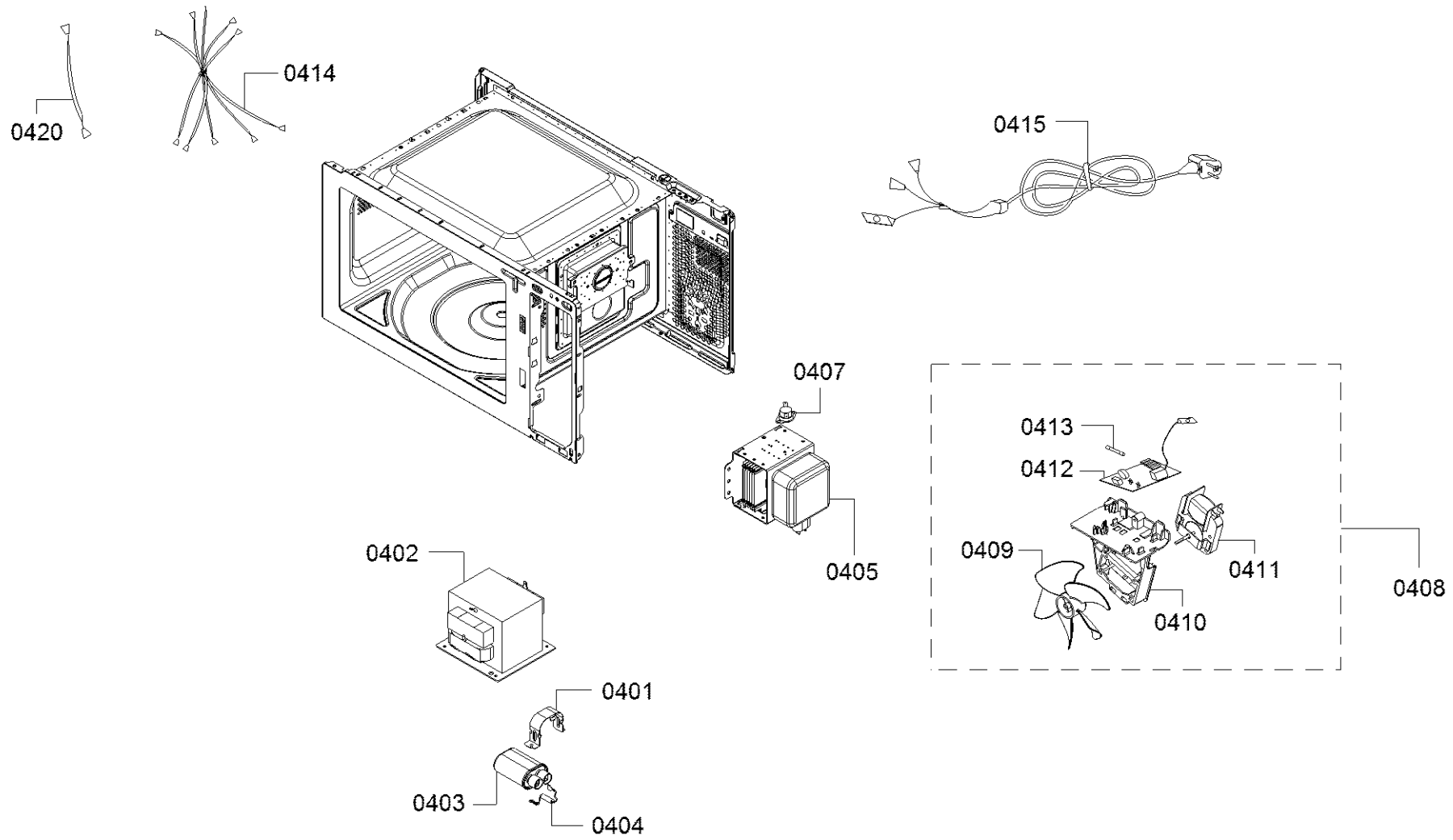


0197





Position ID	Part No.	Replacement	Description
0304	10001607		Drive coupling



Position ID	Part No.	Replacement	Description
0401	00631390		Bracket
0403	00631397		Capacitor plastic/foil